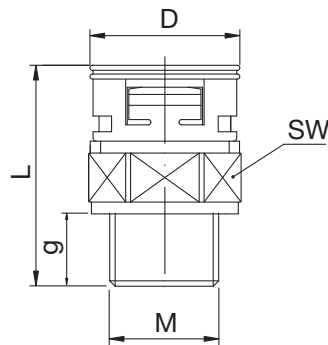


# Raccordi IP67

Raccordo diritto filetto nylon metrico maschio, IP67	pag. 25
Raccordo 90° filetto nylon metrico maschio, IP67	pag. 26
Raccordo 45° filetto nylon metrico maschio, IP67	pag. 27
Raccordo diritto filetto nylon PG maschio, IP67	pag. 28
Raccordo 90° filetto nylon PG maschio, IP67	pag. 29
Raccordo 45° filetto nylon PG maschio, IP67	pag. 30
Raccordo diritto filetto metallico metrico maschio, IP67	pag. 31
Raccordo 90° filetto metallico metrico maschio, IP67	pag. 32
Raccordo 45° filetto metallico metrico maschio, IP67	pag. 33
Raccordo diritto filetto metallico PG maschio, IP67	pag. 34
Raccordo 90° filetto metallico PG maschio, IP67	pag. 35
Raccordo 45° filetto metallico PG maschio, IP67	pag. 36
Raccordo diritto filetto nylon GAS maschio, IP67	pag. 37
Raccordo 90° filetto nylon GAS maschio, IP67	pag. 38
Raccordo 45° filetto nylon GAS maschio, IP67	pag. 39
Raccordo diritto filetto nylon metrico femmina, IP67	pag. 40
Raccordo diritto filetto nylon PG femmina, IP67	pag. 41
Raccordo diritto ad incastro, IP67	pag. 41
Raccordo diritto UNEF/UNS femmina, IP67	pag. 42
Raccordi EMC	pag. 43



## Raccordo diritto filetto nylon metrico maschio, con guarnizione integrata IP67



### VPGRG

### VPGRB

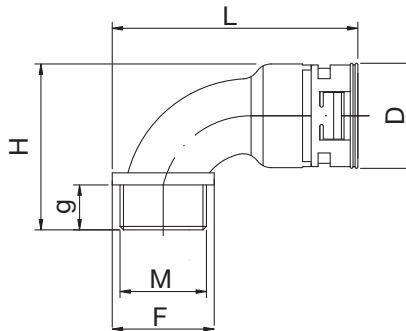


Codice grigio	nero	Diametro Nominale	M	g	D	L	SW	Peso kg/100 pz.	Conf. pz.
VPGRG-10M12	VPGRB-10M12	10	12x1,5	9,5	21,1	34,0	19	0,59	50
VPGRG-10M16	VPGRB-10M16	10	16x1,5	9,5	21,1	34,0	19	0,55	50
VPGRG-10M20	VPGRB-10M20	10	20x1,5	12,0	26,5	37,0	19	0,55	50
VPGRG-12M16	VPGRB-12M16	12	16x1,5	9,5	24,0	35,0	22	0,66	50
VPGRG-12M20	VPGRB-12M20	12	20x1,5	12,5	24,0	38,0	22	0,68	50
VPGRG-17M20	VPGRB-17M20	17	20x1,5	13,0	30,4	42,5	27	1,20	50
VPGRG-17M25	VPGRB-17M25	17	25x1,5	12,0	30,4	41,5	27	1,05	50
VPGRG-17M32	VPGRB-17M32	17	32x1,5	12,0	35,5	41,5	27	1,20	50
VPGRG-23M25	VPGRB-23M25	23	25x1,5	14,0	40,0	52,5	36	2,10	30
VPGRG-23M32	VPGRB-23M32	23	32x1,5	14,0	40,0	52,5	36	2,02	30
VPGRG-29M32	VPGRB-29M32	29	32x1,5	14,0	46,0	53,5	41	2,70	30
VPGRG-29M40	VPGRB-29M40	29	40x1,5	14,0	46,5	53,5	41	2,70	30
VPGRG-36M40	VPGRB-36M40	36	40x1,5	14,0	57,0	59,0	50	6,50	10
VPGRG-36M50	VPGRB-36M50	36	50x1,5	14,0	57,0	59,0	50	6,50	10
VPGRG-48M50	VPGRB-48M50	48	50x1,5	14,0	73,0	64,5	65	8,40	10
VPGRG-48M63	VPGRB-48M63	48	63x1,5	13,5	73,0	63,5	65	8,40	10

Altre misure disponibili a richiesta

\* UL recognized File E 168970

## Raccordo 90° curvo filetto nylon metrico maschio con guarnizione integrata, IP67



### VPBRG

### VPBRB

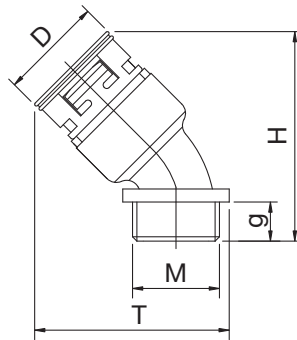


Codice grigio	nero	Diametro Nominale	M	g	D	L	H	F	Peso kg/100 pz.	Conf. pz.
VPBRG-10M16	VPBRB-10M16	10	16 x1,5	11,0	21,1	56,0	37,6	20,0	0,73	50
VPBRG-10M20	VPBRB-10M20	10	20 x1,5	11,0	21,1	59,3	37,6	26,5	0,79	50
VPBRG-12M16	VPBRB-12M16	12	16 x1,5	11,0	24,3	59,3	41,0	24,5	1,00	50
VPBRG-12M20	VPBRB-12M20	12	20 x1,5	11,0	24,3	59,3	41,0	24,5	1,06	50
VPBRG-17M20	VPBRB-17M20	17	20 x1,5	13,0	30,4	68,5	48,2	24,5	1,72	50
VPBRG-17M25	VPBRB-17M25	17	25 x1,5	13,5	30,4	71,0	48,2	29,5	1,73	50
VPBRG-23M25	VPBRB-23M25	23	25 x1,5	14,0	40,0	87,8	59,0	35,0	2,50	30
VPBRG-23M32	VPBRB-23M32	23	32 x1,5	14,0	40,0	88,1	59,0	35,5	2,66	30
VPBRG-29M32	VPBRB-29M32	29	32 x1,5	14,0	46,0	98,0	66,0	43,0	4,30	30
VPBRG-29M40	VPBRB-29M40	29	40 x1,5	14,0	46,0	99,0	66,0	45,0	4,56	30
VPBRG-36M40	VPBRB-36M40	36	40 x1,5	14,0	56,0	110,4	78,0	49,5	8,00	10
VPBRG-36M50	VPBRB-36M50	36	50 x1,5	14,0	56,0	113,4	78,0	55,5	8,27	10
VPBRG-48M50	VPBRB-48M50	48	50 x1,5	14,0	70,0	129,5	91,5	59,5	11,90	10
VPBRG-48M63	VPBRB-48M63	48	63 x1,5	14,0	70,0	134,0	91,5	68,5	12,19	10

Altre misure disponibili a richiesta

\* UL recognized File E 168970

## Raccordo 45° curvo filetto nylon metrico maschio con guarnizione integrata, IP67



### VPARG

### VPARB

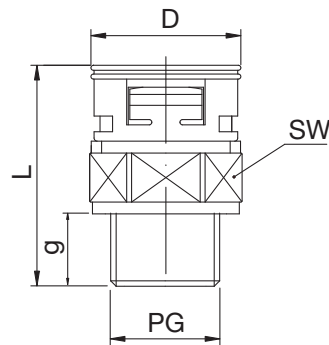


Codice grigio	Codice nero	Diametro Nominale	M	g	D	H	T	Peso kg/100 pz.	Conf. pz.
VPARG-10M16	VPARB-10M16	10	16 x1,5	10,0	21,1	46,0	41,4	0,73	50
VPARG-10M20	VPARB-10M20	10	20 x1,5	9,9	21,2	46,5	44,7	0,76	50
VPARG-12M16	VPARB-12M16	12	16 x1,5	8,7	24,3	50,0	44,8	1,00	50
VPARG-12M20	VPARB-12M20	12	20 x1,5	11,9	24,3	50,0	44,8	1,02	50
VPARG-17M20	VPARB-17M20	17	20 x1,5	14,7	30,4	58,0	52,0	1,52	50
VPARG-17M25	VPARB-17M25	17	25 x1,5	16,7	30,4	58,0	54,5	1,53	50
VPARG-23M25	VPARB-23M25	23	25 x1,5	20,1	40,0	70,5	67,0	2,60	30
VPARG-23M32	VPARB-23M32	23	32 x1,5	22,1	40,0	70,5	67,3	2,75	30
VPARG-29M32	VPARB-29M32	29	32 x1,5	25,7	46,0	77,0	75,7	3,55	30
VPARG-29M40	VPARB-29M40	29	40 x1,5	28,6	46,0	77,0	77,0	3,80	30
VPARG-36M40	VPARB-36M40	36	40 x1,5	28,5	56,0	91,5	88,5	6,97	10
VPARG-36M50	VPARB-36M50	36	50 x1,5	35,7	56,0	91,5	91,3	6,97	10
VPARG-48M50	VPARB-48M50	48	50 x1,5	41,2	70,0	104,5	105,5	11,59	10
VPARG-48M63	VPARB-48M63	48	63 x1,5	49,0	70,0	104,5	110,0	10,17	10

Altre misure disponibili a richiesta

\* UL recognized File E 168970

## Raccordo diritto filetto nylon PG maschio con guarnizione integrata, IP67



### VPGRG

### VPGRB

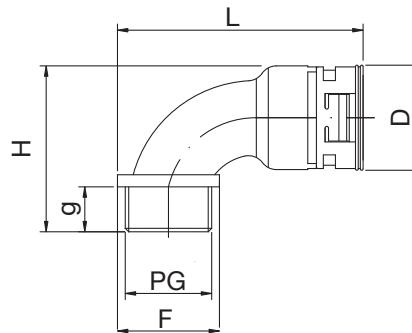


Codice grigio	Codice nero	Diametro Nominale	PG	g	D	L	SW	Peso kg/100 pz.	Conf. pz.
VPGRG-10P07	VPGRB-10P07	10	07	12,0	21,1	36,5	19	0,48	50
VPGRG-10P07K	VPGRB-10P07K	10	07	8,0	21,1	32,5	19	0,45	50
VPGRG-10P09	VPGRB-10P09	10	09	12,0	21,1	36,5	19	0,48	50
VPGRG-10P09K	VPGRB-10P09K	10	09	8,0	21,1	32,5	19	0,47	50
VPGRG-10P11	VPGRB-10P11	10	11	12,0	21,1	36,5	19	0,59	50
VPGRG-10P11K	VPGRB-10P11K	10	11	8,0	21,1	32,5	19	0,50	50
VPGRG-10P13	VPGRB-10P13	10	13,5	12,0	23,5	37,0	19	0,55	50
VPGRG-12P09	VPGRB-12P09	12	09	12,5	24,0	38,0	22	0,60	50
VPGRG-12P11	VPGRB-12P11	12	11	12,5	24,0	38,0	22	0,65	50
VPGRG-12P11K	VPGRB-12P11K	12	11	8,0	24,0	33,5	22	0,62	50
VPGRG-12P13	VPGRB-12P13	12	13,5	12,5	24,0	38,0	22	0,66	50
VPGRG-17P11	VPGRB-17P11	17	11	12,5	30,4	42,0	27	1,10	50
VPGRG-17P13	VPGRB-17P13	17	13,5	13,0	30,4	42,5	27	1,10	50
VPGRG-17P16	VPGRB-17P16	17	16	13,0	30,4	42,5	27	1,10	50
VPGRG-17P16K	VPGRB-17P16K	17	16	8,0	30,4	37,5	27	0,90	50
VPGRG-17P21	VPGRB-17P21	17	21	12,5	33,0	42,0	27	1,20	50
VPGRG-23P16	VPGRB-23P16	23	16	14,0	40,0	52,5	36	2,10	50
VPGRG-23P21	VPGRB-23P21	23	21	14,0	40,0	52,5	36	2,10	30
VPGRG-29P29	VPGRB-29P29	29	29	14,0	46,0	53,5	41	2,70	30
VPGRG-36P29	VPGRB-36P29	36	29	14,0	57,0	59,0	50	4,07	10
VPGRG-36P36	VPGRB-36P36	36	36	14,0	57,0	59,0	50	6,50	10
VPGRG-48P42	VPGRB-48P42	48	42	15,0	73,0	65,0	65	8,40	10
VPGRG-48P48	VPGRB-48P48	48	48	14,5	73,0	64,5	65	8,40	10

Altre misure disponibili a richiesta

\* UL recognized File E 168970

## Raccordo 90° curvo filetto nylon PG maschio con guarnizione integrata, IP67



### VPBRG

### VPBRB

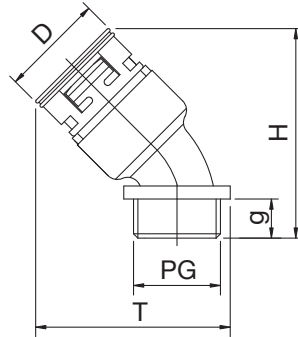


Codice grigio	nero	Diametro Nominale	PG	g	D	L	H	F	Peso kg/100 pz.	Conf. pz.
VPBRG-10P09	VPBRB-10P09	10	09	11,0	21,1	56,0	37,6	20,0	0,88	50
VPBRG-10P11	VPBRB-10P11	10	11	11,0	21,1	57,3	37,6	22,5	0,92	50
VPBRG-10P13	VPBRB-10P13	10	13,5	11,0	21,1	58,3	37,6	24,5	0,96	50
VPBRG-12P11	VPBRB-12P11	12	11	11,0	24,3	58,5	41,0	23,0	1,20	50
VPBRG-12P13	VPBRB-12P13	12	13,5	11,0	24,3	59,3	41,0	24,5	1,27	50
VPBRG-17P13	VPBRB-17P13	17	13,5	13,0	30,4	69,8	48,2	27,0	2,00	50
VPBRG-17P16	VPBRB-17P16	17	16	13,0	30,4	70,0	48,2	27,5	2,00	50
VPBRG-23P21	VPBRB-23P21	23	21	14,0	40,0	87,8	59,0	35,0	3,10	30
VPBRG-29P29	VPBRB-29P29	29	29	14,0	46,0	98,3	66,0	43,5	4,60	30
VPBRG-36P36	VPBRB-36P36	36	36	14,0	56,0	112,6	78,0	54,0	8,40	10
VPBRG-48P48	VPBRB-48P48	48	48	14,0	70,0	132,8	91,5	65,0	12,30	10

Altre misure disponibili a richiesta

\* UL recognized File E 168970

## Raccordo 45° filetto nylon PG maschio, con guarnizione integrata IP67



### VPARG

### VPARB

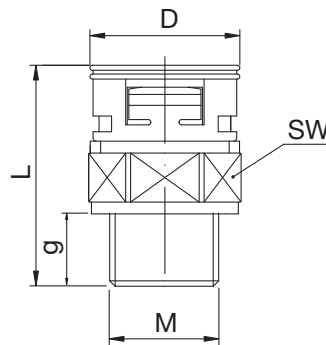


Codice grigio	nero	Diametro Nominale	PG	g	D	H	T	Peso kg/100 pz.	Conf. pz.
VPARG-10P09	VPARB-10P09	10	09	11,0	21,1	46,5	41,4	0,70	50
VPARG-12P11	VPARB-12P11	12	11	11,0	24,3	50,0	44,0	1,00	50
VPARG-17P16	VPARB-17P16	17	16	13,0	30,4	58,0	53,5	1,54	50
VPARG-23P21	VPARB-23P21	23	21	14,0	40,0	70,5	67,0	2,78	30
VPARG-29P29	VPARB-29P29	29	29	14,0	46,0	77,0	76,0	3,87	30
VPARG-36P36	VPARB-36P36	36	36	14,0	56,0	91,5	90,3	7,30	10
VPARG-48P48	VPARB-48P48	48	48	14,0	70,0	104,5	108,2	10,20	10

Altre misure disponibili a richiesta

\* UL recognized File E 168970

## Raccordo diritto filetto metallico metrico maschio, con guarnizione integrata IP67



### VMGRG

### VMGRB

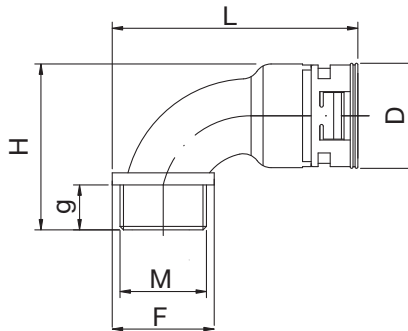


Codice grigio	nero	Diametro Nominale	M	g	D	L	SW	Peso kg/100 pz.	Conf. pz.
VMGRG-10M16	VMGRB-10M16	10	16x1,5	12,0	21,1	37,5	19	0,92	30
VMGRG-10M20	VMGRB-10M20	10	20x1,5	12,0	25,0	38,0	19	0,92	30
VMGRG-12M16	VMGRB-12M16	12	16x1,5	12,0	24,0	39,0	22	1,63	30
VMGRG-12M20	VMGRB-12M20	12	20x1,5	12,0	25,0	39,0	22	1,65	30
VMGRG-17M20	VMGRB-17M20	17	20x1,5	12,0	30,4	41,5	27	2,30	30
VMGRG-17M25	VMGRB-17M25	17	25x1,5	14,0	32,0	43,5	27	2,35	30
VMGRG-23M25	VMGRB-23M25	23	25x1,5	14,0	40,0	52,5	36	4,24	30
VMGRG-23M32	VMGRB-23M32	23	32x1,5	14,0	40,0	52,5	36	4,18	30
VMGRG-29M32	VMGRB-29M32	29	32x1,5	14,0	46,0	53,5	41	6,18	20
VMGRG-29M40	VMGRB-29M40	29	40x1,5	14,0	46,5	53,5	41	6,09	20
VMGRG-36M40	VMGRB-36M40	36	40x1,5	14,0	57,0	60,0	50	9,00	10
VMGRG-36M50	VMGRB-36M50	36	50x1,5	18,0	60,5	64,5	50	11,56	10
VMGRG-48M50	VMGRB-48M50	48	50x1,5						10
VMGRG-48M63	VMGRB-48M63	48	63x1,5	15,5	73,0	69,0	65	15,52	10

Altre misure disponibili a richiesta

\* UL recognized File E 168970

## Raccordo 90° curvo filetto metallico metrico maschio con guarnizione integrata, IP67



### VMBRG

### VMBRB

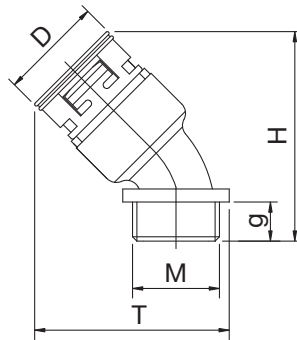


Codice grigio	nero	Diametro Nominale	M	g	D	L	H	F	Peso kg/100 pz.	Conf. pz.
VMBRG-10M16	VMBRB-10M16	10	16 x1,5	11,0	21,1	58,0	38,1	24,0	1,24	30
VMBRG-10M20	VMBRB-10M20	10	20 x1,5						1,14	30
VMBRG-12M16	VMBRB-12M16	12	16 x1,5	11,0	24,3	59,6	41,0	25,0	1,84	30
VMBRG-12M20	VMBRB-12M20	12	20 x1,5	12,0	24,3	58,8	42,0	23,5	1,84	30
VMBRG-17M20	VMBRB-17M20	17	20 x1,5	13,0	30,4	70,0	48,2	27,5	2,58	30
VMBRG-17M25	VMBRB-17M25	17	25 x1,5	13,0	30,4	72,8	48,2	33,0	2,59	30
VMBRG-23M32	VMBRB-23M32	23	32 x1,5	14,0	40,0	91,9	59,0	43,0	4,44	30
VMBRG-29M32	VMBRB-29M32	29	32 x1,5	14,0	46,0	98,3	66,0	43,5	6,80	20
VMBRG-29M40	VMBRB-29M40	29	40 x1,5	14,0	46,0	102,0	66,5	51,0	7,05	20
VMBRG-36M40	VMBRB-36M40	36	40 x1,5	14,0	56,0	111,2	78,0	51,0	9,90	10
VMBRG-36M50	VMBRB-36M50	36	50 x1,5	14,0	56,0	116,2	78,0	61,0	10,58	10
VMBRG-48M63	VMBRB-48M63	48	63 x1,5	14,0	70,0	134,8	91,0	70,0	17,48	10

Altre misure disponibili a richiesta

\* UL recognized File E 168970

## Raccordo 45° curvo filetto metallico metrico maschio con guarnizione integrata, IP67



### VMARG

### VMARB

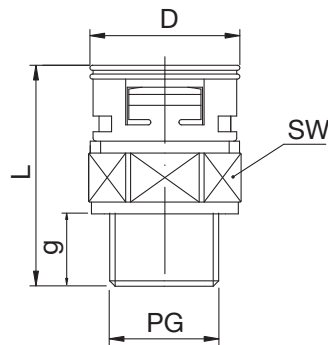


Codice grigio	nero	Diametro Nominale	M	g	D	H	T	Peso kg/100 pz.	Conf. pz.
VMARG-10M16	VMARB-10M16	10	16 x1,5	11,0	21,30	46,50	41,85	1,12	30
VMARG-10M20	VMARB-10M20	10	20 x1,5					1,14	30
VMARG-12M16	VMARB-12M16	12	16 x1,5	11,0	24,20	50,50	44,90	1,65	30
VMARG-12M20	VMARB-12M20	12	20 x1,5	12,0	24,20	50,50	44,90	1,65	30
VMARG-17M20	VMARB-17M20	17	20 x1,5	13,0	30,60	54,00	52,85	3,25	30
VMARG-17M25	VMARB-17M25	17	25 x1,5	13,0	30,60	58,40	52,85	3,29	30
VMARG-23M32	VMARB-23M32	23	32 x1,5	14,0	38,35	69,90	67,75	4,12	30
VMARG-29M32	VMARB-29M32	29	32 x1,5	14,0	45,50	77,25	76,65	5,80	30
VMARG-29M40	VMARB-29M40	29	40 x1,5	14,0	45,50	77,25	76,65	5,80	30
VMARG-36M40	VMARB-36M40	36	40 x1,5	14,0	56,00	92,35	91,45	10,10	10
VMARG-36M50	VMARB-36M50	36	50 x1,5	14,0	56,00	92,35	91,45	10,10	10
VMARG-48M63	VMARB-48M63	48	63 x1,5	14,0	70,00	106,05	108,80	15,57	10

Altre misure disponibili a richiesta

\* UL recognized File E 168970

## Raccordo diritto filetto metallico PG maschio, con guarnizione integrata IP67



### VMGRG

### VMGRB

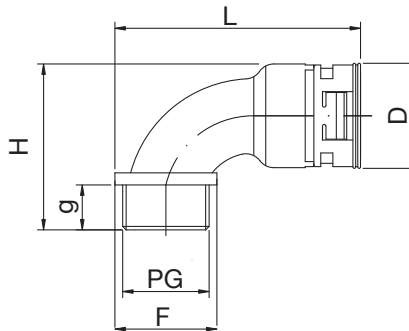


Codice grigio	nero	Diametro Nominale	PG	g	D	L	SW	Peso kg/100 pz.	Conf. pz.
VMGRG-10P09	VMGRB-10P09	10	09	12,0	21,5	37,5	19	1,05	30
VMGRG-12P11	VMGRB-12P11	12	11	12,0	24,0	38,5	22	1,63	30
VMGRG-17P13	VMGRB-17P13	17	13,5	12,0	30,4	41,5	27	2,15	30
VMGRG-17P16	VMGRB-17P16	17	16	12,0	30,4	41,5	27	2,30	30
VMGRG-23P21	VMGRB-23P21	23	21	14,0	40,0	52,5	36	4,24	30
VMGRG-29P29	VMGRB-29P29	29	29	14,0	46,0	53,5	41	6,18	20
VMGRG-36P36	VMGRB-36P36	36	36	17,0	57,0	63,5	50	11,60	10
VMGRG-48P48	VMGRB-48P48	48	48	17,0	73,0	68,5	65	18,40	10

Altre misure disponibili a richiesta

\* UL recognized File E 168970

## Raccordo 90° curvo filetto metallico PG maschio con guarnizione integrata, IP67



### VMBRG

### VMBRB

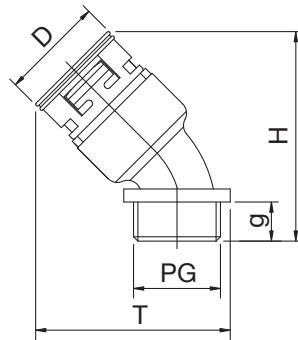


Codice grigio	nero	Diametro Nominale	PG	g	D	L	H	F	Peso kg/100 pz.	Conf. pz.
VMBRG-10P09	VMBRB-10P09	10	09	11,0	21,1	56,3	37,6	20,5		30
VMBRG-10P11	VMBRB-10P11	10	11	11,0	21,1	58,1	38,1	24,0		30
VMBRG-10P13	VMBRB-10P13	10	13,5							30
VMBRG-12P11	VMBRB-12P11	12	11	11,0	24,3	58,8	41,0	23,5		30
VMBRG-12P13	VMBRB-12P13	12	13,5	11,0	24,3	60,0	41,0	24,5		30
VMBRG-17P13	VMBRB-17P13	17	13,5	13,0	30,4	70,0	48,2	27,5	2,70	30
VMBRG-17P16	VMBRB-17P16	17	16	13,0	30,4	70,0	48,2	27,5	2,80	30
VMBRG-23P21	VMBRB-23P21	23	21	14,0	40,0	88,1	59,0	35,5	4,50	30
VMBRG-29P29	VMBRB-29P29	29	29	14,0	46,0	98,3	66,0	43,5	7,05	20
VMBRG-36P36	VMBRB-36P36	36	36	14,0	56,0	113,1	78,0	55,0	11,80	10
VMBRG-48P48	VMBRB-48P48	48	48	14,0	70,0	133,6	91,0	66,5		10

Altre misure disponibili a richiesta

\* UL recognized File E 168970

## Raccordo 45° filetto metallico PG maschio, con guarnizione integrata IP67



### VMARG

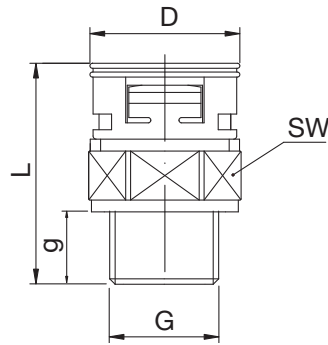
### VMARB



Codice grigio	nero	Diametro Nominale	PG	g	D	H	T	Peso kg/100 pz.	Conf. pz.
VMARG-10P09	VMARB-10P09	10	09	11	21,1	47,0	43,4		30
VMARG-12P11	VMARB-12P11	12	11	11	24,3	50,0	43,7	1,65	30
VMARG-17P13	VMARB-17P13	17	13	13	30,4	58,5	53,2	2,10	30
VMARG-17P16	VMARB-17P16	17	16	13	30,4	58,5	53,2	2,40	30
VMARG-23P21	VMARB-23P21	23	21	14	40,0	71,0	67,0	4,00	30
VMARG-29P29	VMARB-29P29	29	29	14	46,0	77,6	76,2	6,20	20
VMARG-36P36	VMARB-36P36	36	36	14	56,0	91,7	90,5	10,14	10
VMARG-48P48	VMARB-48P48	48	48	14	70,0	105,5	109,4	15,44	10

\* UL recognized File E 168970

## Raccordo diritto filetto nylon GAS maschio, con guarnizione integrata IP67



### VPGRG

### VPGRB

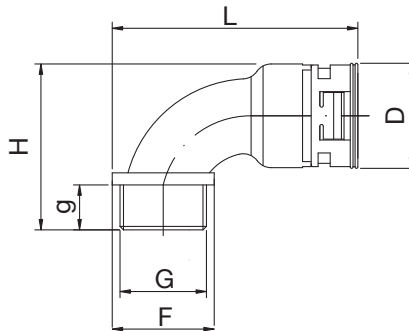


Codice grigio	nero	Diametro Nominale	G	g	D	L	SW	Peso kg/100 pz.	Conf. pz.
PAGOG-07G00**	PAGOB-07G00**	07	1/4"	9,7	18,5	36,0	15	0,34	50
VPGRG-10G00	VPGRB-10G00	10	1/4"	12,0	21,1	36,5	19	0,48	50
VPGRG-12G01	VPGRB-12G01	12	3/8"	12,0	24,0	37,5	22	0,60	50
VPGRG-12G02	VPGRB-12G02	12	1/2"	12,0	24,5	37,5	22	0,65	50
VPGRG-17G02	VPGRB-17G02	17	1/2"	12,0	30,4	41,5	27	1,10	50
VPGRG-23G03	VPGRB-23G03	23	3/4"	14,0	40,0	52,5	36	2,10	30
VPGRG-29G04	VPGRB-29G04	29	1"	14,0	46,0	53,5	41	2,70	30
VPGRG-36G05	VPGRB-36G05	36	1 1/4"	14,0	57,0	59,0	50	6,50	10
VPGRG-48G06	VPGRB-48G06	48	1 1/2"	14,0	73,0	64,0	65	8,40	10
VPGRG-48G07	VPGRB-48G07	48	2"	14,0	73,0	64,0	65	8,40	10

\*\* IP54

\* UL recognized File E 168970

## Raccordo 90° filetto nylon GAS maschio, con guarnizione integrata IP67



### VPBRG

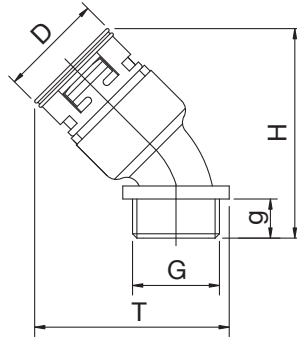
### VPBRB



Codice grigio	nero	Diametro Nominale	G	g	D	L	H	F	Peso kg/100 pz.	Conf. pz.
VPBRG-10G01	VPBRB-10G01	10	3/8"	11	21,1	56,0	37,6	20,0	0,90	50
VPBRG-12G01	VPBRB-12G01	12	3/8"	11	24,3	58,5	41,0	23,0	1,20	50
VPBRG-17G02	VPBRB-17G02	17	1/2"	13	30,4	69,8	48,2	27,0	1,90	50
VPBRG-23G03	VPBRB-23G03	23	3/4"	14	40,0	87,8	59,0	35,0	3,10	30
VPBRG-29G04	VPBRB-29G04	29	1"	14	46,0	98,0	66,0	43,0	4,60	30
VPBRG-36G05	VPBRB-36G05	36	1 1/4"	14	56,0	112,4	78,0	53,5	8,90	10
VPBRG-48G07	VPBRB-48G07	48	2"	14	70,0	132,8	91,5	65,0	12,30	10

\* UL recognized File E 168970

## Raccordo 45° filetto nylon GAS maschio, con guarnizione integrata IP67



### VPARG

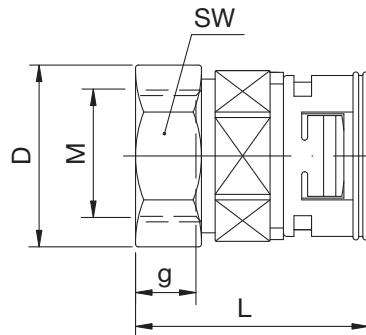
### VPARB



Codice grigio	nero	Diametro Nominale	G	g	D	H	T	Peso kg/100 pz.	Conf. pz.
VPARG-10G01	VPARB-10G01	10	3/8"	11	21,1	46,5	41,4	0,70	50
VPARG-12G01	VPARB-12G01	12	3/8"	11	24,3	50,5	44,0	1,00	50
VPARG-17G02	VPARB-17G02	17	1/2"	13	30,4	58,0	53,2	1,54	50
VPARG-23G03	VPARB-23G03	23	3/4"	14	40,0	70,5	67,0	2,78	30
VPARG-29G04	VPARB-29G04	29	1"	14	46,0	77,0	76,0	3,87	30
VPARG-36G05	VPARB-36G05	36	1 1/4"	14	56,0	91,5	90,5	7,17	10
VPARG-48G07	VPARB-48G07	48	2"	14	70,0	104,5	108,2	10,17	10

\* UL recognized File E 168970

## Raccordo diritto filetto nylon metrico femmina, IP67



### VPIRG

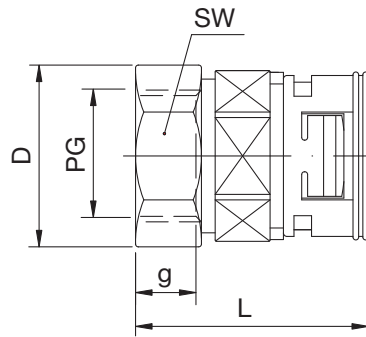
### VPIRB



Codice grigio	nero	Diametro Nominale	M	g	L	D	SW	Peso kg/100 pz.	Conf. pz.
VPIRG-10M121	VPIRB-10M121	10	12 x 1,0	6,0	35,5	21,1	15	0,51	50
VPIRG-10M181	VPIRB-10M181	10	18 x 1,0	11,5	37,0	27,3	24		50
VPIRG-10M16	VPIRB-10M16	10	16 x 1,5	12,0	36,0	21,1	19	0,57	50
VPIRG-12M16	VPIRB-12M16	12	16 x 1,5	12,0	37,0	24,0	19	0,68	50
VPIRG-12M20	VPIRB-12M20	12	20 x 1,5	12,0	38,5	27,0	24	0,80	50
VPIRG-17M20	VPIRB-17M20	17	20 x 1,5	16,0	43,0	30,4	27	1,22	50
VPIRG-17M25	VPIRB-17M25	17	25 x 1,5	15,0	43,0	33,5	30	1,33	50
VPIRG-23M25	VPIRB-23M25	23	25 x 1,5	17,0	53,0	40,0	32	2,68	30
VPIRG-23M32	VPIRB-23M32	23	32 x 1,5	15,0	53,0	42,5	38	2,51	30
VPIRG-29M32	VPIRB-29M32	29	32 x 1,5	16,5	53,5	46,0	36	2,82	30
VPIRG-29M40	VPIRB-29M40	29	40 x 1,5	15,0	54,0	50,5	46	3,18	30
VPIRG-36M40	VPIRB-36M40	36	40 x 1,5	20,0	63,5	57,0	46	7,00	10
VPIRG-36M50	VPIRB-36M50	36	50 x 1,5	20,0	63,0	62,0	57	5,11	10
VPIRG-48M50	VPIRB-48M50	48	50 x 1,5	21,0	68,0	73,0	60	9,00	10
VPIRG-48M63	VPIRB-48M63	48	63 x 1,5	21,0	68,0	78,3	70	8,80	10

\* UL recognized File E 168970

## Raccordo diritto filetto nylon PG femmina, con guarnizione integrata IP67



### VPIRG

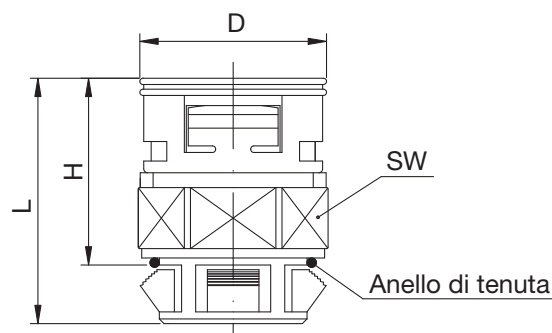
### VPIRB



Codice grigio	Codice nero	Diametro Nominale	PG	g	L	D	SW	Peso kg/100 pz.	Conf. pz.
VPIRG-10P07	VPIRB-10P07	10	07	12,0	36,5	21,1	17	0,57	50
VPIRG-10P09	VPIRB-10P09	10	09	12,0	35,5	21,7	19	0,57	50
VPIRG-12P11	VPIRB-12P11	12	11	13,0	38,5	24,8	22	0,68	50
VPIRG-12P13	VPIRB-12P13	12	13,5	11,0	38,5	27,0	24	0,76	50
VPIRG-17P13	VPIRB-17P13	17	13,5	13,5	40,5	30,4	27	1,22	50
VPIRG-17P16	VPIRB-17P16	17	16	13,0	40,5	33,2	30	1,06	50
VPIRG-23P21	VPIRB-23P21	23	21	14,5	51,5	40,0	32	2,68	30
VPIRG-29P29	VPIRB-29P29	29	29	18,5	56,5	47,5	42	2,82	30
VPIRG-36P36	VPIRB-36P36	36	36	21,0	65,0	59,8	54	7,00	10
VPIRG-48P48	VPIRB-48P48	48	48	21,0	70,0	73,0	65	9,00	10

\* UL recognized File E 168970

## Raccordo diritto ad incastro, IP67



### VPGVG

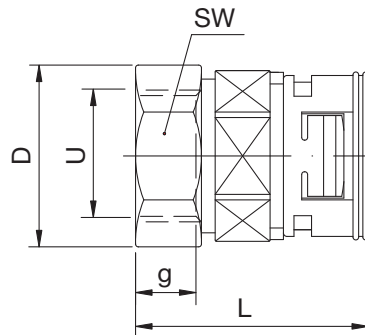
### VPGVB



Codice grigio	Codice nero	Diametro Nominale	Foro per PG	Foro Ø B	H	L	D	W	Peso kg/100 pz.	Conf. pz.
VPGVG-10S15	VPGVB-10S15	10	09	15,2	26,5	38,0	21,1	19	0,56	50
VPGVG-12S19	VPGVB-12S19	12	11	18,6	27,0	39,0	24,0	22	0,64	50
VPGVG-17S22	VPGVB-17S22	17	16	22,5	30,0	42,0	30,4	27	1,10	50
VPGVG-23S28	VPGVB-23S28	23	21	28,3	39,5	52,0	40,0	36	2,22	30
VPGVG-23S32	VPGVB-23S32	23	M32	32,2	39,0	51,5	40,0	36	2,00	30
VPGVG-29S37	VPGVB-29S37	29	29	37,0	41,0	57,5	46,0	41	2,98	30

Il raccordo si adatta a fori per filetto PG. Non sono necessari la filettatura interna e il controdado. Lo spessore della parete deve essere 1-2,5 mm.

## Raccordo diritto filetto UNEF/UNS femmina, con guarnizione integrata IP67



### VPIRG

### VPIRB



Codice grigio	nero	Diametro Nominale	U	g	L	D	SW	Peso kg/100 pz.	Conf. pz.
VPIRG-10U05	VPIRB-10U05	10	5/8"-24	12,0	36,0	21,5	19	0,55	50
VPIRG-10U07	VPIRB-10U07	10	3/4"-20	12,0	37,0	27,0	24	0,74	50
VPIRG-12U05	VPIRB-12U05	12	5/8"-24	12,0	37,0	24,0	19	0,63	50
VPIRG-12U06	VPIRB-12U06	12	11/16"-24	13,0	38,5	25,0	22	0,76	50
VPIRG-12U07	VPIRB-12U07	12	3/4"-20	11,0	37,5	27,1	24	0,81	50
VPIRG-12U09	VPIRB-12U09	12	7/8"-20	12,0	38,5	30,2	27	0,79	50
VPIRG-12U10	VPIRB-12U10	12	15/16"-20	11,0	38,5	30,2	27	0,79	50
VPIRG-17U07	VPIRB-17U07	17	3/4"-20	16,0	42,5	30,4	24	1,19	50
VPIRG-17U09	VPIRB-17U09	17	7/8"-20	15,5	42,5	30,4	27	1,00	50
VPIRG-17U10	VPIRB-17U10	17	15/16"-20	15,0	43,0	30,5	27	1,00	50
VPIRG-17U11	VPIRB-17U11	17	1"-20	14,5	43,0	33,7	30	1,10	50
VPIRG-17U14	VPIRB-17U14	17	13/16"-18	12,5	43,5	37,8	34	1,20	50
VPIRG-17U17	VPIRB-17U17	17	13/8"-18	12,5	44,0	40,5	37	1,30	50
VPIRG-23U14	VPIRB-23U14	23	13/16"-12	6,5	46,5	40,0	36	2,16	30
VPIRG-23U17	VPIRB-23U17	23	13/8"-18	14,5	53,0	40,5	38	2,10	30
VPIRG-23U18	VPIRB-23U18	23	17/16"-18	14,5	55,0	43,5	36	2,68	30
VPIRG-29U24	VPIRB-29U24	29	2"-18 UNS	14,0	56,0	59,3	55	3,30	30

\* UL recognized File E 168970