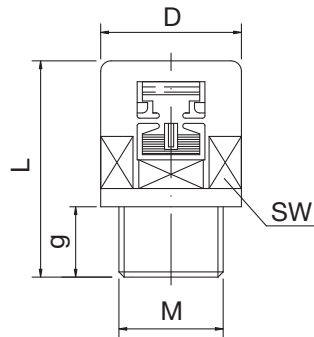


Raccordi IP54

Raccordo diritto filetto nylon metrico maschio, IP54	pag. 45
Raccordo 90° filetto nylon metrico maschio, IP54	pag. 46
Raccordo 90° girevole filetto nylon metrico maschio, IP54	pag. 47
Raccordo 45° filetto nylon metrico maschio, IP54	pag. 47
Raccordo diritto filetto nylon PG maschio, IP54	pag. 48
Raccordo 90° filetto nylon PG maschio, IP54	pag. 49
Raccordo 90° girevole, IP54	pag. 50
Raccordo 45° filetto nylon PG maschio, IP54	pag. 51
Raccordo diritto filetto metallico metrico maschio, IP54	pag. 52
Raccordo 90° filetto metallico metrico maschio, IP54	pag. 53
Raccordo diritto filetto metallico PG maschio, IP54	pag. 54
Raccordo 90° filetto metallico PG maschio, IP54	pag. 55
Raccordo 45° filetto metallico PG maschio, IP54	pag. 56
Raccordo diritto filetto PG femmina, IP54	pag. 57
Raccordo diritto filetto UNEF/UNS femmina, IP54	pag. 58
Raccordo diritto ad incastro, IP54	pag. 59



Raccordo diritto filetto nylon metrico maschio, IP54



PAGOG

PAGOB

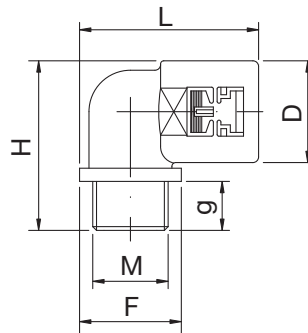


Codice grigio	nero	Diametro Nominale	M	g	D	L	SW	Peso kg/100 pz.	Conf. pz.
PAGOG-07M101	PAGOB-07M101	07	10x1,0	10,0	17,2	36,3	15	0,29	50
PAGOG-07M12	PAGOB-07M12	07	12x1,5	10,0	18,5	36,3	15	0,29	50
PAGOG-07M16	PAGOB-07M16	07	16x1,5	10,0	22,5	36,3	15	0,29	50
PAGOG-07M20	PAGOB-07M20	07	20x1,5	10,0	24,5	36,3	15	0,29	50
PAGOG-10M12	PAGOB-10M12	10	12x1,5	9,5	18,5	33,5	15	0,44	50
PAGOG-10M16	PAGOB-10M16	10	16x1,5	9,5	21,0	33,5	15	0,40	50
PAGOG-10M20	PAGOB-10M20	10	20x1,5	12,0	26,5	36,5	15	0,40	50
PAGOG-12M16	PAGOB-12M16	12	16x1,5	9,5	21,8	33,5	17	0,42	50
PAGOG-12M20	PAGOB-12M20	12	20x1,5	12,5	27,0	36,5	17	0,48	50
PAGOG-17M20	PAGOB-17M20	17	20x1,5	13,0	27,5	41,0	24	0,75	50
PAGOG-17M25	PAGOB-17M25	17	25x1,5	12,0	29,0	40,0	24	0,69	50
PAGOG-17M32	PAGOB-17M32	17	32x1,5	12,0	35,0	40,0	24	0,89	50
PAGOG-23M25	PAGOB-23M25	23	25x1,5	14,0	36,5	53,0	32	1,55	30
PAGOG-23M32	PAGOB-23M32	23	32x1,5	14,0	38,5	53,0	32	1,46	30
PAGOG-29M32	PAGOB-29M32	29	32x1,5	14,0	42,0	54,0	38	2,10	30
PAGOG-29M40	PAGOB-29M40	29	40x1,5	14,0	46,5	54,0	38	2,10	30
PAGOG-36M40	PAGOB-36M40	36	40x1,5	14,0	52,5	57,5	46	2,91	10
PAGOG-36M50	PAGOB-36M50	36	50x1,5	14,0	56,5	57,5	46	2,91	10
PAGOG-48M50	PAGOB-48M50	48	50x1,5	14,0	65,5	62,0	60	4,65	10
PAGOG-48M63	PAGOB-48M63	48	63x1,5	13,5	69,0	61,0	60	4,65	10

Altre misure disponibili a richiesta

* UL recognized File E 168970

Raccordo 90° filetto nylon metrico maschio, IP54



PAWOG

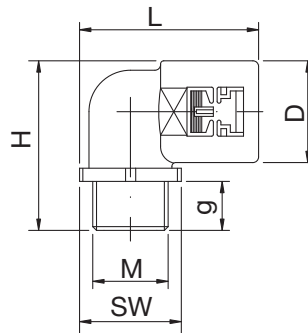
PAWOB



Codice grigio	nero	Diametro Nominale	M	g	D	L	H	F	Peso kg/100 pz.	Conf. pz.
PASOG-07M101	PASOB-07M101	07	10 x 1,0	10,0	17,2	43,8	42,8	17,0	0,87	50
PASOG-07M12	PASOB-07M12	07	12 x 1,5	10,0	17,2	44,5	42,8	18,5	0,89	50
PASOG-07M16	PASOB-07M16	07	16 x 1,5	10,0	17,2	46,5	42,8	22,5	0,89	50
PASOG-07M20	PASOB-07M20	07	20 x 1,5	10,0	17,2	47,5	42,8	24,5	0,93	50
PAWOG-10M12	PAWOB-10M12	10	12 x 1,5	10,5	18,0	39,3	33,5	20,0	0,70	50
PAWOG-10M16	PAWOB-10M16	10	16 x 1,5	10,5	18,0	40,3	33,5	22,0	0,70	50
PAWOG-10M20	PAWOB-10M20	10	20 x 1,5	11,0	18,0	41,5	35,0	24,5	0,80	50
PAWOG-12M16	PAWOB-12M16	12	16 x 1,5	11,0	20,8	42,0	36,5	21,0	0,88	50
PAWOG-12M20	PAWOB-12M20	12	20 x 1,5	11,0	20,8	43,8	36,5	24,5	0,90	50
PAWOG-17M20	PAWOB-17M20	17	20 x 1,5	13,0	27,0	47,5	45,0	27,0	1,26	50
PAWOG-17M25	PAWOB-17M25	17	25 x 1,5	13,0	27,0	47,5	45,0	29,0	1,35	50
PAWOG-23M25	PAWOB-23M25	23	25 x 1,5	14,0	35,0	65,5	54,0	36,0	2,60	30
PAWOG-29M32	PAWOB-29M32	29	32 x 1,5	14,0	41,8	73,3	60,9	41,5	3,60	30
PAWOG-36M40	PAWOB-36M40	36	40 x 1,5	14,0	51,8	86,3	70,0	51,5	6,09	10
PAWOG-48M50	PAWOB-48M50	48	50 x 1,5	14,0	63,8	102,5	82,3	64,5	9,40	10

* UL recognized File E 168970

Raccordo 90° girevole filetto nylon metrico maschio, IP54



PASOG

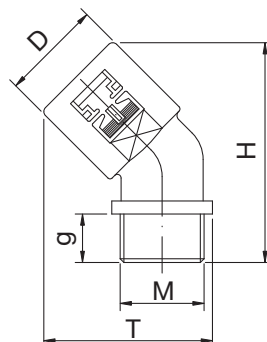
PASOB



Codice grigio	nero	Diametro Nominale	M	g	D	L	H	SW	Peso kg/100 pz.	Conf. pz.
PASOG-07M101	PASOB-07M101	07	10x1,0	10,0	17,2	43,8	42,8	15	0,75	50
PASOG-07M12	PASOB-07M12	07	12x1,5	10,0	17,2	44,5	42,8	15	0,87	50
PASOG-07M16	PASOB-07M16	07	16x1,5	10,0	17,2	46,5	42,8	15	0,89	50
PASOG-07M20	PASOB-07M20	07	20x1,5	10,0	17,2	47,5	42,8	15	0,93	50
VPSRG-10M16	PASOB-10M16	10	16x1,5	9,0	21,1	56,0	37,5	20	1,01	50
VPSRG-10M20	PASOB-10M20	10	20x1,5	9,0	21,1	58,0	37,5	24	1,11	50
VPSRG-12M20	PASOB-12M20	10	20x1,5	9,0	23,9	59,0	41,2	24	1,81	50
PASOG-17M25	PASOB-17M25	17	25x1,5	10,0	27,0	50,0	45,0	32	1,61	50
PASOG-23M32	PASOB-23M32	23	32x1,5	11,0	35,0	67,5	55,0	41	3,15	50

* UL recognized File E 168970

Raccordo 45° filetto nylon metrico maschio, IP54



PAAOG

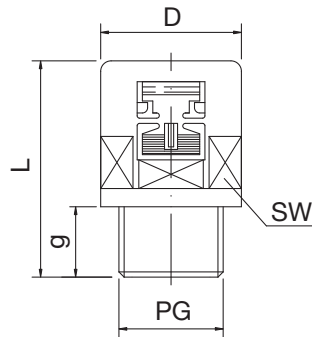
PAAOB



Codice grigio	nero	Diametro Nominale	M	g	D	H	T	Peso kg/100 pz.	Conf. pz.
PAAOG-07M101	PAAOB-07M101	07	10x1,0	10,0	17,2	55,2	33,7	0,63	50
PAAOG-07M12	PAAOB-07M12	07	12x1,5	10,0	17,2	55,2	34,5	0,67	50
PAAOG-07M16	PAAOB-07M16	07	16x1,5	10,0	17,2	55,2	36,5	0,77	50
PAAOG-07M20	PAAOB-07M20	07	20x1,5	10,0	17,2	55,2	37,5	0,80	50

* UL recognized File E 168970

Raccordo diritto filetto nylon PG maschio, IP54



PAGOG

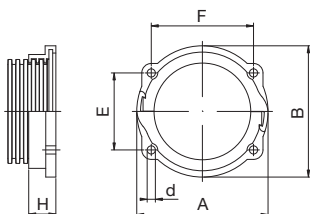
PAGOB



Codice grigio	nero	Diametro Nominale	PG	g	D	L	SW	Peso kg/100 pz.	Conf. pz.
PAGOG-07P07	PAGOB-07P07	07	07	8,2	17,5	34,5	15	0,34	50
PAGOG-07P09	PAGOB-07P09	07	09	9,7	18,5	36,0	15	0,34	50
PAGOG-07P11	PAGOB-07P11	07	11	9,7	21,5	36,0	15	0,36	50
PAGOG-07P13	PAGOB-07P13	07	13,5	9,7	24,0	36,0	15	0,38	50
PAGOG-10P07	PAGOB-10P07	10	07	12,0	18,0	36,0	15	0,32	50
PAGOG-10P09	PAGOB-10P09	10	09	12,0	18,5	36,0	15	0,33	50
PAGOG-10P11	PAGOB-10P11	10	11	12,0	20,0	36,0	15	0,44	50
PAGOG-10P13	PAGOB-10P13	10	13,5	12,0	23,5	36,5	15	0,40	50
PAGOG-12P09	PAGOB-12P09	12	09	12,5	20,8	36,5	17	0,36	50
PAGOG-12P11	PAGOB-12P11	12	11	12,5	21,0	36,5	17	0,42	50
PAGOG-12P13	PAGOB-12P13	12	13,5	12,5	22,5	36,5	17	0,45	50
PAGOG-17P11	PAGOB-17P11	17	11	12,5	27,0	40,5	24	0,73	50
PAGOG-17P13	PAGOB-17P13	17	13,5	13,0	27,0	41,0	24	0,70	50
PAGOG-17P16	PAGOB-17P16	17	16	13,0	27,0	41,0	24	0,75	50
PAGOG-17P21	PAGOB-17P21	17	21	12,5	33,0	41,5	24	0,90	50
PAGOG-23P16	PAGOB-23P16	23	16	14,0	35,0	53,0	32	1,50	30
PAGOG-23P21	PAGOB-23P21	23	21	14,0	35,0	53,0	32	1,55	30
PAGOG-29P29	PAGOB-29P29	29	29	14,0	42,0	54,0	38	2,10	30
PAGOG-36P29	PAGOB-36P29	36	29	14,0	52,0	57,5	46	2,70	10
PAGOG-36P36	PAGOB-36P36	36	36	14,0	51,5	57,5	46	3,30	10
PAGOG-48P42	PAGOB-48P42	48	42	15,0	65,0	62,5	60	4,98	10
PAGOG-48P48	PAGOB-48P48	48	48	14,5	64,5	62,0	60	5,20	10

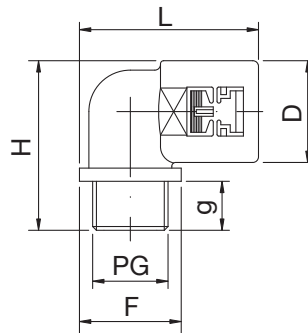
Altre misure disponibili a richiesta

* UL recognized File E 168970



Codice grigio	nero	Diametro Nominale	A	B	H	E	F	d	Conf. pz.
PAGOG-52	PAGOB-52	52	77	74	17	60	66	6,5	1
PAGOG-70	PAGOB-70	70	103	103	21	61	81	6,5	1
PAGOG-95	PAGOB-95	95	130	130	28	74	119	6,5	1

Raccordo 90° filetto nylon PG maschio, IP54



PAWOG

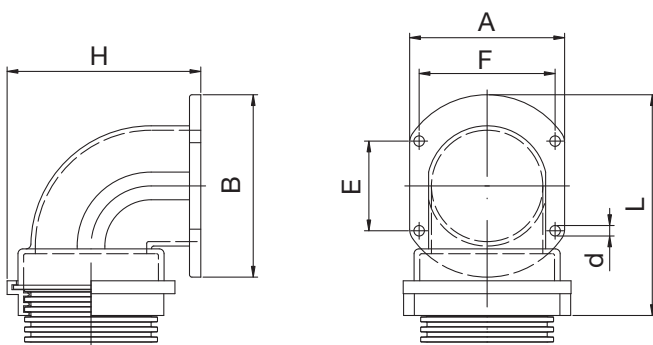
PAWOB



Codice grigio	Codice nero	Diametro Nominale	PG	g	D	L	H	F	Peso kg/100 pz.	Conf. pz.
PAWOG-07P07	PAWOB-07P07	07	07	8,0	17,2	44,0	29,6	17,5	0,63	50
PAWOG-10P07	PAWOB-10P07	10	07	10,5	18,0	38,3	33,5	18,0	0,70	50
PAWOG-10P09	PAWOB-10P09	10	09	10,5	18,0	39,3	33,5	20,0	0,70	50
PAWOG-10P11	PAWOB-10P11	10	11	10,5	18,0	39,3	33,5	20,0	0,80	50
PAWOG-10P13	PAWOB-10P13	10	13,5	11,0	18,0	41,3	34,5	24,0	0,77	50
PAWOG-12P09	PAWOB-12P09	12	09	11,0	20,8	42,0	36,5	21,0	0,86	50
PAWOG-12P11	PAWOB-12P11	12	11	11,0	20,8	43,0	36,5	23,0	0,88	50
PAWOG-12P13	PAWOB-12P13	12	13,5	11,0	20,8	43,3	36,5	23,5	0,84	50
PAWOG-17P13	PAWOB-17P13	17	13,5	13,0	27,0	47,5	45,0	27,0	1,25	50
PAWOG-17P16	PAWOB-17P16	17	16	13,0	27,0	47,5	45,0	27,0	1,26	50
PAWOG-23P21	PAWOB-23P21	23	21	14,0	35,0	65,0	54,0	35,0	2,60	30
PAWOG-29P29	PAWOB-29P29	29	29	14,0	41,8	73,8	60,9	42,5	3,60	30
PAWOG-36P36	PAWOB-36P36	36	36	14,0	51,0	86,3	70,0	51,5	6,20	10
PAWOG-48P48	PAWOB-48P48	48	48	14,0	63,8	102,5	82,3	64,5	9,50	10

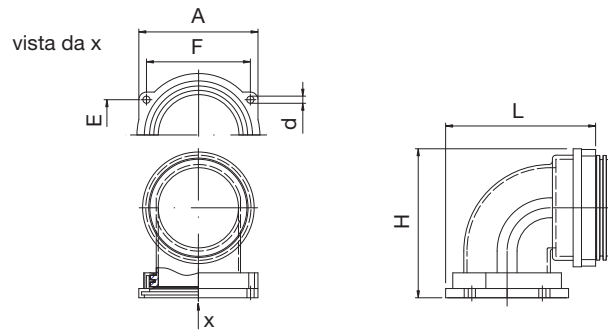
Altre misure disponibili a richiesta

* UL recognized File E 168970



Codice grigio	Codice nero	Diametro Nominale	A	B	H	E	F	L	d	Conf. pz.
PAWOG-52	PAWOB-52	52	74	80	94	66	60	105	6,5	1
PAWOG-70	PAWOB-70	70	96	112	120	60-61	80-81	136	6,5	1
PAWOG-95	PAWOB-95	95	126	143	145	74-75	108-110	173	6,5	1

Raccordo 90° girevole, IP54



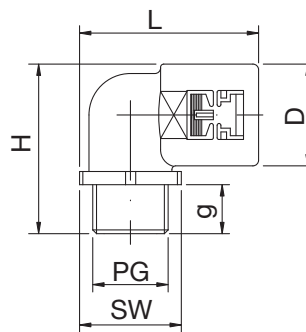
PASOG

PASOB



Codice grigio	nero	Diametro Nominale	A	H	E	F	L	d	Conf. pz.
PASOG-52	PASOB-52	52	77	94	60	66	96	6,5	1
PASOG-70	PASOB-70	70	103	128	61	81	131	6,5	1
PASOG-95	PASOB-95	95	130	166	74	110	166	6,5	1

* UL recognized File E 168970



PASOG

PASOB

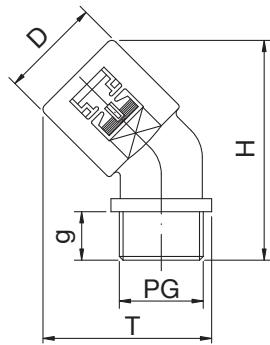


Codice grigio	nero	Diametro Nominale	PG	g	D	L	H	SW	Peso kg/100 pz.	Conf. pz.
PASOG-07P07	PASOB-07P07	07	07	8,2	17,2	44,1	41,0	15	0,79	50
PASOG-07P09	PASOB-07P09	07	09	9,7	17,2	44,6	42,5	15	0,81	50
PASOG-07P11	PASOB-07P11	07	11	9,7	17,2	46,1	42,5	15	0,91	50
PASOG-07P13	PASOB-07P13	07	13,5	9,7	17,2	46,1	42,5	15	0,95	50
PASOG-17P16	PASOB-17P16	17	16	10,0	27,0	47,5	45,0	27	1,44	50
PASOG-23P21	PASOB-23P21	23	21	11,0	35,0	63,0	55,0	32	2,85	30

Altre misure disponibili a richiesta

* UL recognized File E 168970

Raccordo 45° filetto nylon PG maschio, IP54



PAAOG

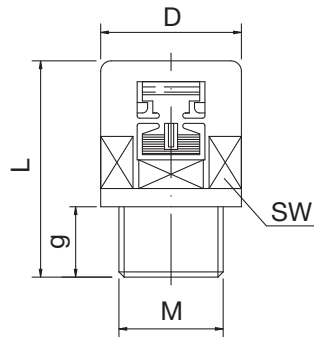
PAAOB



Codice grigio	nero	Diametro Nominale	PG	g	D	H	T	Peso kg/100 pz.	Conf. pz.
PAAOG-07P07	PAAOB-07P07	07	07	8,2	17,2	53,4	34,0	0,66	50
PAAOG-07P09	PAAOB-07P09	07	09	9,7	17,2	54,9	34,5	0,66	50
PAAOG-07P11	PAAOB-07P11	07	11	9,7	17,2	54,9	36,0	0,77	50
PAAOG-07P13	PAAOB-07P13	07	13,5	9,7	17,2	54,9	37,2	0,82	50
PAAOG-10P09	PAAOB-10P09	10	09	12,0	18,0	50,0	36,0	0,60	50
PAAOG-12P11	PAAOB-12P11	12	11	12,0	21,0	49,5	40,0	0,80	50
PAAOG-17P16	PAAOB-17P16	17	16	13,0	27,0	59,5	47,0	1,30	50
PAAOG-23P21	PAAOB-23P21	23	21	14,0	35,0	71,0	63,0	2,60	30
PAAOG-29P29	PAAOB-29P29	29	29	14,0	41,8	79,0	72,0	3,60	30

* UL recognized File E 168970

Raccordo diritto filetto metallico metrico maschio, IP54



PMGOG

PMGOB

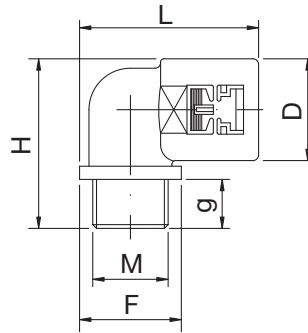


Codice grigio	nero	Diametro Nominale	M	g	D	L	SW	Peso kg/100 pz.	Conf. pz.
PMGOG-10M16	PMGOB-10M16	10	16x1,5	12,0	21,0	37,0	15		30
PMGOG-10M20	PMGOB-10M20	10	20x1,5	12,0	25,0	37,5	15	0,95	30
PMGOG-12M16	PMGOB-12M16	12	16x1,5	12,0	21,0	37,5	17	1,40	30
PMGOG-12M20	PMGOB-12M20	12	20x1,5	12,0	25,0	37,5	17	1,35	30
PMGOG-17M20	PMGOB-17M20	17	20x1,5	12,0	27,5	40,0	24	2,00	30
PMGOG-17M25	PMGOB-17M25	17	25x1,5	14,0	32,0	42,0	24	1,94	30
PMGOG-23M25	PMGOB-23M25	23	25x1,5	14,0	36,0	53,0	32	3,70	30
PMGOG-23M32	PMGOB-23M32	23	32x1,5	14,0	39,0	53,0	32	3,68	30
PMGOG-29M32	PMGOB-29M32	29	32x1,5	14,0	42,0	54,0	38	5,30	20
PMGOG-29M40	PMGOB-29M40	29	40x1,5	14,0	51,0	54,0	38	5,46	20
PMGOG-36M40	PMGOB-36M40	36	40x1,5	14,0	51,5	58,5	46		10
PMGOG-36M50	PMGOB-36M50	36	50x1,5	18,0	60,5	63,0	46	10,42	10
PMGOG-48M63	PMGOB-48M63	48	63x1,5	15,5	70,0	66,5	60	15,95	10

Altre misure disponibili a richiesta

* UL recognized File E 168970

Raccordo 90° filetto metallico metrico maschio, IP54



PMWOG

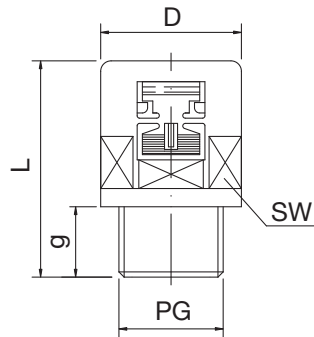
PMWOB



Codice grigio	nero	Diametro Nominale	M	g	D	L	H	F	Peso kg/100 pz.	Conf. pz.
PMWOG-12M16	PMWOB-12M16	12	16 x 1,5	12	20,8	42,0	37,5	21,0	1,50	30
PMWOG-17M20	PMWOB-17M20	17	20 x 1,5	12	27,0	47,8	44,0	27,5	2,10	30
PMWOG-23M25	PMWOB-23M25	23	25 x 1,5	14	35,0	65,5	54,0	36,0	4,30	30
PMWOG-29M32	PMWOB-29M32	29	32 x 1,5	14	41,8	73,8	60,9	42,5	6,50	20
PMWOG-36M40	PMWOB-36M40	36	40 x 1,5	14	51,0	86,0	70,5	51,0	11,37	10
PMWOG-48M50	PMWOB-48M50	48	50 x 1,5	18	63,8	101,0	87,8	61,5	19,50	10

* UL recognized File E 168970

Raccordo diritto filetto metallico PG maschio, IP54



PMGOG

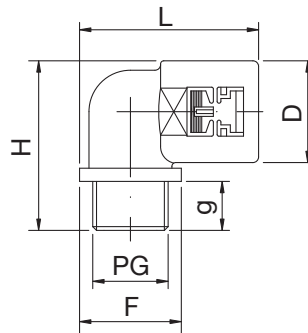
PMGOB



Codice grigio	nero	Diametro Nominale	PG	g	D	L	SW	Peso kg/100 pz.	Conf. pz.
PMGOG-07P07	PMGOB-07P07	07	07	8,5	17,5	34,8	15	0,78	50
PMGOG-10P09	PMGOB-10P09	10	09	12,0	18,8	37,0	15	0,90	30
PMGOG-12P11	PMGOB-12P11	12	11	12,0	21,0	37,0	17	1,40	30
PMGOG-17P13	PMGOB-17P13	17	13,5	12,0	27,5	40,0	24	1,85	30
PMGOG-17P16	PMGOB-17P16	17	16	12,0	27,5	40,0	24	2,00	30
PMGOG-23P21	PMGOB-23P21	23	21	14,0	35,5	53,0	32	3,70	30
PMGOG-29P29	PMGOB-29P29	29	29	14,0	42,5	54,0	38	5,30	20
PMGOG-36P36	PMGOB-36P36	36	36	17,0	52,5	62,0	46	8,40	10
PMGOG-48P48	PMGOB-48P48	48	48	17,0	65,0	66,0	60	15,20	10

Altre misure disponibili a richiesta
* UL recognized File E 168970

Raccordo 90° filetto metallico PG maschio, IP54



PMWOG

PMWOB

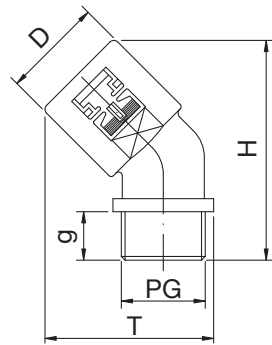


Codice grigio	nero	Diametro Nominale	PG	g	D	L	H	F	Peso kg/100 pz.	Conf. pz.
PMWOG-07P07	PMWOB-07P07	07	07	8,5	17,5	44,0	41,3	17,5	1,20	30
PMWOG-10P09	PMWOB-10P09	10	09	12,0	18,0	38,5	35,0	18,5	1,20	30
PMWOG-12P11	PMWOB-12P11	12	11	12,0	20,8	42,0	37,5	21,0	1,80	30
PMWOG-17P13	PMWOB-17P13	17	13,5	12,0	27,0	47,8	44,0	27,5	2,40	30
PMWOG-17P16	PMWOB-17P16	17	16	12,0	27,0	47,8	44,0	27,5	2,40	30
PMWOG-23P21	PMWOB-23P21	23	21	14,0	35,0	65,2	54,0	35,5	4,60	30
PMWOG-29P29	PMWOB-29P29	29	29	14,0	41,8	74,3	60,9	43,5	6,80	20
PMWOG-36P36	PMWOB-36P36	36	36	17,0	51,0	86,6	74,5	52,0	11,30	10
PMWOG-48P48	PMWOB-48P48	48	48	17,0	63,8	103,0	86,8	65,5	19,70	10

Altre misure disponibili a richiesta

* UL recognized File E 168970

Raccordo 45° filetto metallico PG maschio, IP54



PMAOG

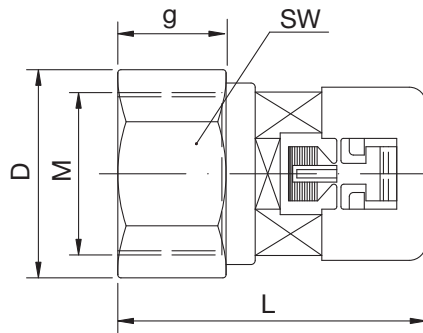
PMAOB



Codice grigio	nero	Diametro Nominale	PG	g	D	H	T	Peso kg/100 pz.	Conf. pz.
PMAOG-07P07	PMAOB-07P07	07	07	08	17,2	41,1	34,0	1,00	30
PMAOG-10P09	PMAOB-10P09	10	09	12	18,0	50,0	36,0	1,20	30
PMAOG-12P11	PMAOB-12P11	12	11	12	21,0	51,0	40,0	1,90	30
PMAOG-17P16	PMAOB-17P16	17	16	12	27,0	58,0	47,0	2,40	30
PMAOG-23P21	PMAOB-23P21	23	21	14	35,0	71,0	63,0	4,80	30
PMAOG-29P29	PMAOB-29P29	29	29	14	41,8	79,0	72,0	7,00	20

* UL recognized File E 168970

Raccordo diritto filetto PG femmina, IP54



PAIOG

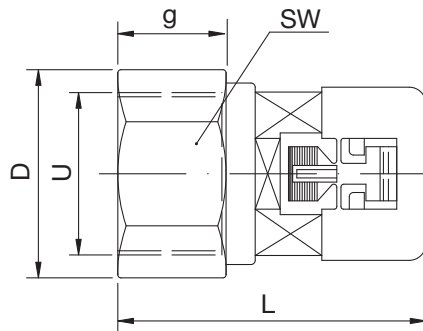
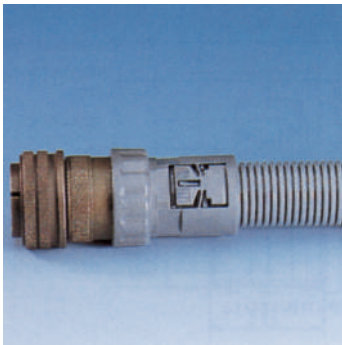
PAIOB



Codice grigio	nero	Diametro Nominale	PG	g	L	D	SW	Peso kg/100 pz.	Conf. pz.
PAIOG-07P07	PAIOB-07P07	07	07	11,0	38,8	17,2	15	0,41	50
PAIOG-10P07	PAIOB-10P07	10	07	12,0	36,0	19,0	17	0,41	50
PAIOG-10P09	PAIOB-10P09	10	09	12,0	35,0	21,7	19	0,41	50
PAIOG-12P11	PAIOB-12P11	12	11	13,0	37,0	24,8	22	0,45	50
PAIOG-12P13	PAIOB-12P13	12	13,5	11,0	37,0	27,0	24	0,55	50
PAIOG-17P13	PAIOB-17P13	17	13,5	13,5	39,0	28,5	24	0,91	50
PAIOG-17P16	PAIOB-17P16	17	16	13,0	39,0	33,2	30	0,80	50
PAIOG-23P21	PAIOB-23P21	23	21	14,5	52,0	36,0	32	1,57	30
PAIOG-29P29	PAIOB-29P29	29	29	18,5	57,0	47,5	42	2,22	30
PAIOG-36P36	PAIOB-36P36	36	36	21,0	63,5	59,8	54	3,87	10
PAIOG-48P48	PAIOB-48P48	48	48	21,0	67,5	73,0	65	5,81	10

* UL recognized File E 168970

Raccordo diretto filetto UNEF/UNS femmina, IP54



PAIOG

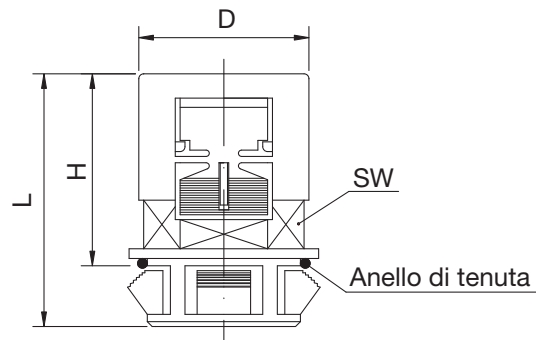
PAIOB



Codice grigio	Codice nero	Diametro Nominale	U	g	L	D	SW	Peso kg/100 pz.	Conf. pz.
PAIOG-07U05	PAIOB-07U05	07	5/8"-24	11,0	38,5	18,5	15	0,41	50
PAIOG-10U05	PAIOB-10U05	10	5/8"-24	12,0	35,5	21,5	19	0,39	50
PAIOG-10U07	PAIOB-10U07	10	3/4"-20	12,0	36,5	27,0	24	0,58	50
PAIOG-12U05	PAIOB-12U05	12	5/8"-24	12,0	35,5	21,5	19	0,39	50
PAIOG-12U06	PAIOB-12U06	12	11/16"-24	13,0	37,0	25,0	22	0,52	50
PAIOG-12U07	PAIOB-12U07	12	3/4"-20	11,0	36,0	27,1	24	0,68	50
PAIOG-12U09	PAIOB-12U09	12	7/8"-20	12,0	37,0	30,2	27	0,55	50
PAIOG-12U10	PAIOB-12U10	12	15/16"-20	11,0	37,0	30,2	27	0,55	50
PAIOG-17U07	PAIOB-17U07	17	3/4"-20	16,0	41,0	27,0	24		50
PAIOG-17U09	PAIOB-17U09	17	7/8"-20	15,5	41,0	30,2	27	0,77	50
PAIOG-17U10	PAIOB-17U10	17	15/16"-20	15,0	41,5	30,5	27	0,77	50
PAIOG-17U11	PAIOB-17U11	17	1"-20	14,5	41,5	33,7	30	0,90	50
PAIOG-17U14	PAIOB-17U14	17	13/16"-18	12,5	42,0	37,8	34	1,00	50
PAIOG-17U17	PAIOB-17U17	17	13/8"-18	12,5	42,5	40,5	37	1,10	50
PAIOG-23U14	PAIOB-23U14	23	13/16"-12	6,5	47,0	39,0	36		30
PAIOG-23U17	PAIOB-23U17	23	13/8"-18	14,5	53,5	40,5	38	1,60	30
PAIOG-23U18	PAIOB-23U18	23	17/16"-18	14,5	55,5	43,5	32	2,22	30
PAIOG-29U18B	PAIOB-29U18B	29	17/16"-8	7,0	56,5	41,8	38	2,15	30
PAIOG-29U24	PAIOB-29U24	29	2"-18 UNS	14,0	56,5	59,3	55	2,70	30

* UL recognized File E 168970

Raccordo diretto ad incastro, IP54



PAGOG

PAGOB



Codice grigio	nero	Diametro Nominale	Foro per PG	Foro Ø B	H	L	D	W	Peso kg/100 pz.	Conf. pz.
PAGOG-07S13	PAGOB-07S13	07	07	12,5	28,3	38,0	17,5	15	0,36	50
PAGOG-10S15	PAGOB-10S15	10	09	15,2	26,0	37,5	20,0	15	0,40	50
PAGOG-12S19	PAGOB-12S19	12	11	18,6	26,0	37,5	23,0	17	0,47	50
PAGOG-17S22	PAGOB-17S22	17	16	22,5	28,5	40,5	27,0	24	1,00	50
PAGOG-23S28	PAGOB-23S28	23	21	28,3	40,0	52,0	35,0	32	1,60	30
PAGOG-23S32	PAGOB-23S32	23	M32	32,2	40,0	51,5	39,0	32	1,40	30
PAGOG-29S37	PAGOB-29S37	29	29	37,0	41,0	57,5	44,0	38	2,80	30

Questo raccordo ad incastro evita di dover filettare il foro.

Lo spessore della parete deve essere 1-2,5 mm.

* UL recognized File E 168970