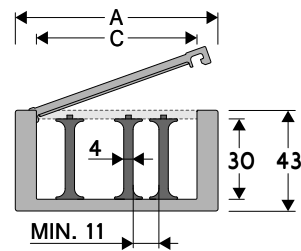


## 500 Circular Nylon Cable Chain

### Inner height (D) 30 mm

Single link construction.  
Frames opening from inner radius.  
Internal separation available.



### Separator

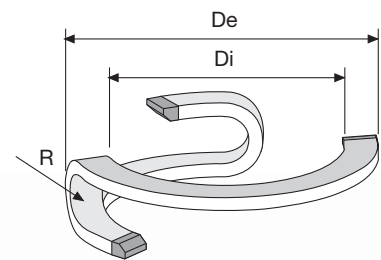
- Unassembled	Part.no S500
- Assembled	Part.no S500MC

### Technical characteristics

Speed	180°/s
Acceleration	180°/s <sup>2</sup>

For higher requirements please consult our technical dept.

A	B	C	D	R	Weight/pitch	Chain
mm	mm	mm	mm	mm	kg	Part Number
86,5	43	68,5	30	100	0,086	50010
86,5	43	68,5	30	150	0,086	50020



R	Di	De
mm	mm	mm
100	630	830
150	630	830

### Length of Chain

Chain	Degrees	No
Part Numbers	of Rotation	of Pitches
50010	90	13
50010	180	17
50010	270	21
50010	360	26
50020	90	15
50020	180	19
50020	270	24
50020	360	28

### Steel End Brackets

The end brackets set, containing two steel plates screwed to the links, allows the two ends of the chain to be attached to the equipment. The end brackets are installed in one position offering the possibility of attaching the chain externally. (Fig. A)

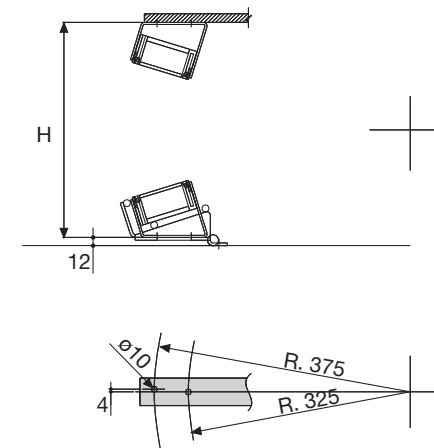


Fig. A

### Support Guide

For correct functioning of the chain it is necessary that the installation is done in a specific position. For this reason Brevetti Stendalto has observed and created a support guide which can do this. (Fig. B) For particular applications it is possible to create support guides with attachment plates and special dimensions.

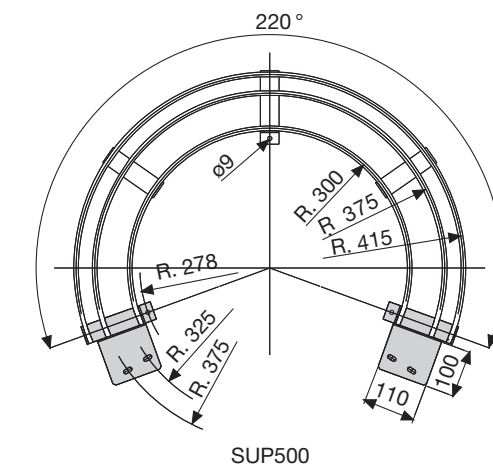


Fig. B

Chain Type	H
50010	330
50020	410

For applications with rotations exceeding 200° it is necessary to use the appropriate accessories for supporting the cable chain. (see page 29).

### Steel End Brackets Part Numbers

Complete Set Assembled	
Chain Type	End Brackets Set
50010	A50010NKM
50020	A50020NKM
Complete Set Unassembled	
Chain Type	End Brackets Set
50010	A50010NK
50020	A50020NK

