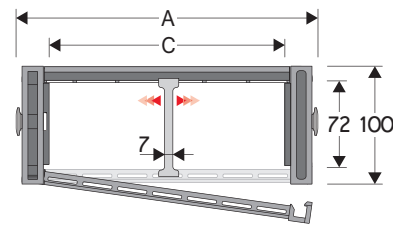


## 309C Nylon Protection Cable Chain with opening covers

### Inner height (D) 72 mm

Strong double share Sideband & Frame construction with large anti-friction triple-pin.  
Covers are opening from outer radius  
Vertical and horizontal separator systems are available.



Separator	
- Unassembled	Part.no S309PO
- Assembled	Part.no S309POMC
Pin	
	Part.no PG309

### Technical characteristics when self-supported

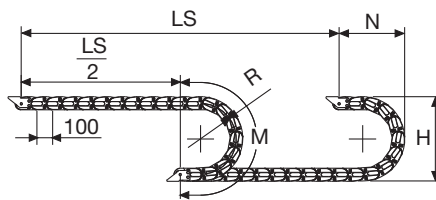
Speed	8 m/s
Acceleration	40 m/s <sup>2</sup>

For higher requirements please consult our technical dept.

A	B	C	D	R	Weight/m	Chain
mm	mm	mm	mm	mm	kg	Part Number
253	100	200	72	200-250-300-350-400-500	5,7	309C200 □□□ *
353	100	300	72	200-250-300-350-400-500	6,8	309C300 □□□ *
453	100	400	72	200-250-300-350-400-500	7,9	309C400 □□□ *

\*Complete the code by inserting the value of the radius (R): Ex. 309C200 □□□ □□

R	H	N	M
mm	mm	mm	mm
200	506	350	830
250	606	400	985
300	706	455	1145
350	806	500	1300
400	906	555	1460
500	1106	650	1770

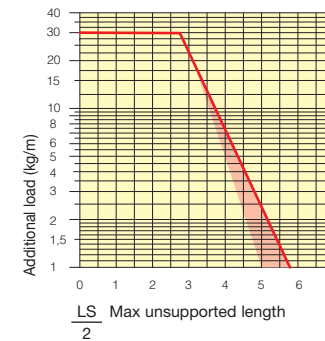


Length of chain (L)  
Half travel distance ( $\frac{LS}{2}$ )  
plus length of curve (M)

$$L = \frac{LS}{2} + M$$

### Self-Supporting Capacity Diagram

The maximum length of the self-supporting capacity ( $\frac{LS}{2}$ ) in relationship to the weight of the cables and hoses contained per linear metre.



### End Brackets

The end brackets set allows the two ends of the chain to be attached to the equipment.

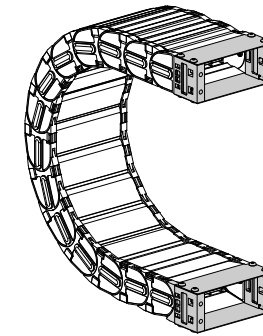
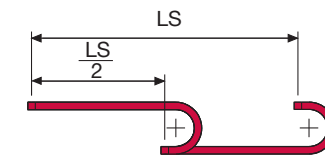
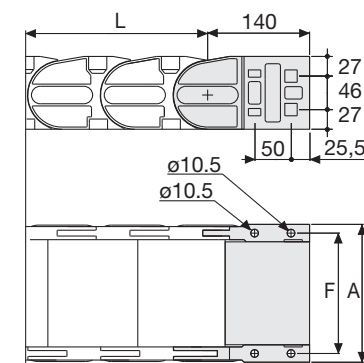


Fig. A  
The chain can be fixed frontally, inner or outer radius. (Fig A)



The red marking in the diagram area considers the difference of weight between various widths of chain.



Chain Type	F mm
309C200	229
309C300	329
309C400	429

### Nylon Type Part Numbers

Complete Set Assembled	
Chain Type	End Brackets Set
309C200	AN309C200KM
309C300	AN309C300KM
309C400	AN309C400KM

Complete Set Unassembled	
Chain Type	End Brackets Set
309C200	AN309C200K
309C300	AN309C300K
309C400	AN309C400K

## 309C Nylon Protection Cable Chain with opening covers

How to open the cover.

