

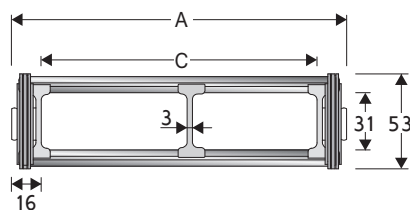
## 20LC Bright Zinc Plated Steel chain with aluminium covers

### Inner height (D) 31 mm

Bright Zinc Plated Steel chain<sup>1</sup>.  
The cover is of Aluminium.

You can request the quote C  
with special quote.

<sup>(1)</sup> available in Stainless Steel.



Separator	
- Unassembled	Part.no S20LTF
- Assembled	Part.no S20LTFMC

### Technical characteristics when self-supported

Speed	0,5 m/s
Acceleration	2 m/s <sup>2</sup>

For higher requirements please consult our  
technical dept.

For sliding applications, characteristics  
techniques may vary depending on the  
frequency, added weight and work environment.

### Aluminium draw Plates with Nylon Separators

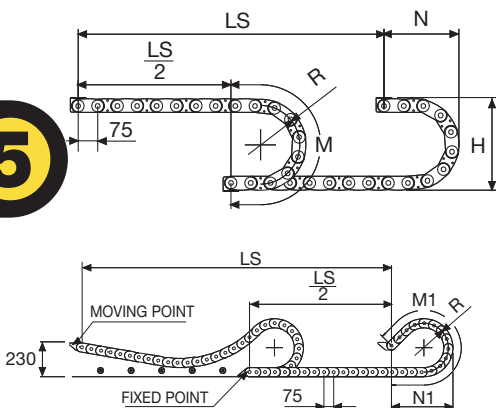
A	B	C	D	R	Weight/m	Chain
mm	mm	mm	mm	mm	kg	Part Number
111	53	79	31	115-150-205-250-305	5,73	20LC079 □□□ *
136	53	104	31	115-150-205-250-305	6,21	20LC104 □□□ *
186	53	154	31	115-150-205-250-305	7,18	20LC154 □□□ *
236	53	204	31	115-150-205-250-305	8,15	20LC204 □□□ *
286	53	254	31	115-150-205-250-305	9,12	20LC254 □□□ *
336	53	304	31	115-150-205-250-305	10,09	20LC304 □□□ *
C+32	53	....	31	115-150-205-250-305		20LC □□□ □□□ **

\*Complete the code by inserting the value of the radius (R): Ex. 20LC154 [2] [5] [0]

\*\*Complete the code by inserting the value of the quote C and the radius (R): Ex. 20LC [1] [2] [3] [2] [5] [0]

R	H*	N	M	N1	M1
mm	mm	mm	mm	mm	mm
115	296	220	515	500	1080
150	366	255	625	675	1485
205	476	310	795	885	2005
250	566	360	940	1030	2385
305	676	410	1110	1190	2825

\* The height H should be increased by 10 mm/m  
approx. because of preload. In case of limitation to  
available space, refer to the Technical Dptm.



Length of chain (L)

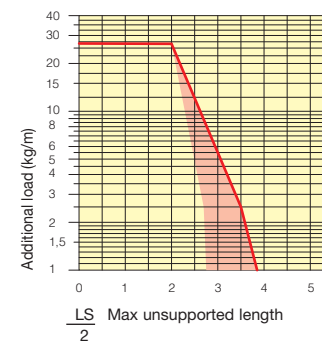
Half travel distance ( $\frac{LS}{2}$ )

plus length of curve (M) or (M1)

$$L = \frac{LS}{2} + M \text{ or } M1$$

### Self-Supporting Capacity Diagram

The maximum length of the  
self-supporting capacity ( $\frac{LS}{2}$ )  
in relationship to the weight  
of the cables and hoses  
contained per linear metre.



### Bright Zinc Plated Steel End Brackets

The end brackets set containing four steel plates screwed to  
the links allows the two ends of the chain to be attached to  
the equipment.

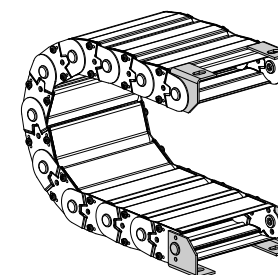
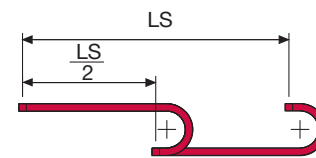
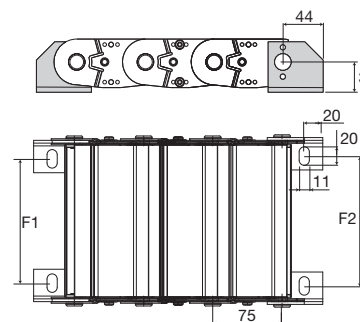


Fig. A  
Chain fixed outer radius (Fig A)



The red marking in the  
diagram area considers the  
difference of weight between  
various widths of chain.



For applications with  $\frac{LS}{2}$   
and weights not included in  
the area of the diagram  
showing self-supporting  
capacity, verify the possible  
use of support rollers  
(see page 30).

Chain type	F1 mm	F2 mm
20LC079	61	67
20LC104	86	92
20LC154	136	142
20LC204	186	192
20LC254	236	242
20LC304	286	292

Special widths  
F1=A-50 F2=A-44

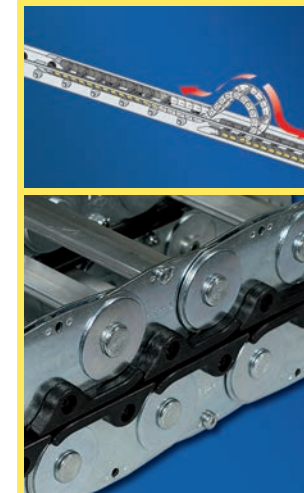
### Bright Zinc Plated Steel Type Part Number

Complete Set Assembled Chain type	End Brackets Set
20LC...	A20LKM□**

Complete Set Unassembled Chain type	End Brackets Set
20LC...	A20LK

\*\* 1=Pos.1; 2=Pos.2; 3=Pos.3

## 20LC Zinc plated steel chain with aluminium covers



Suitable to long travel distance.  
See page 240